

33 840 760



- 220mm projection
- pivotable spout 130°
- air-enriched flow
- height of mixer 167 mm
- height up to aerator 145 mm
- hole diameter 35 mm
- 2 x pressure hose with 3/8" cap nut
- fabric braided hose 1500 mm
- max. flow 5.7 l/min at 3 bar flow pressure
- lead-free
- This product can help a building meet the requirements of Green Building Rating Systems, e.g. LEED®, BREEAM®, DGNB

Intrinsic protection against back flow.

Not possible in combination with rinsing spray.

**Recommended miscellaneous**

**AIR SWITCH Control button -** 10 713 970-00  
**Chrome**

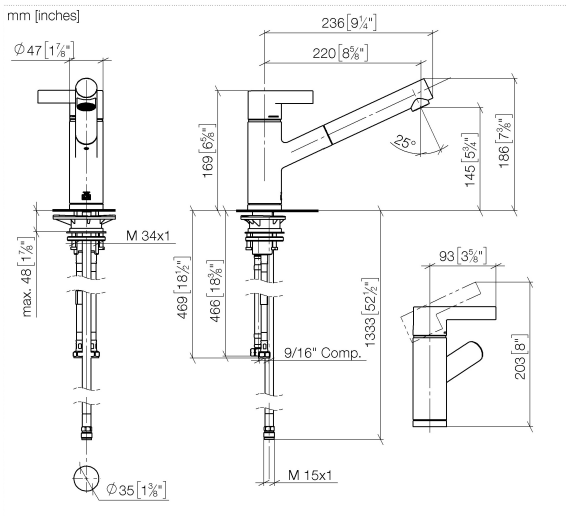


**Recommended miscellaneous**

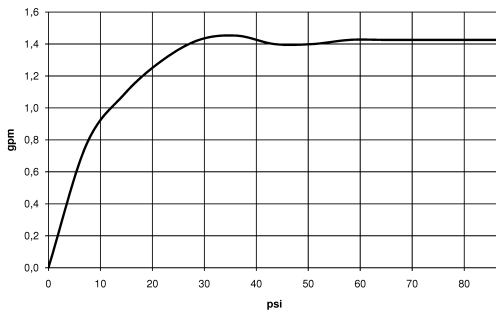
**Dispenser without rosette -** 82 424 970-00  
**Chrome**



33 840 760



**Flow rate chart**



**Codes & Standards**

ADA

ASME  
A112.18.1/CSA  
B125.1

California Energy  
Commission  
(CEC)

NSF/ANSI 372

NSF/ANSI/CAN  
61



## ENO Single-lever mixer Pull-out - Chrome

---

ENO

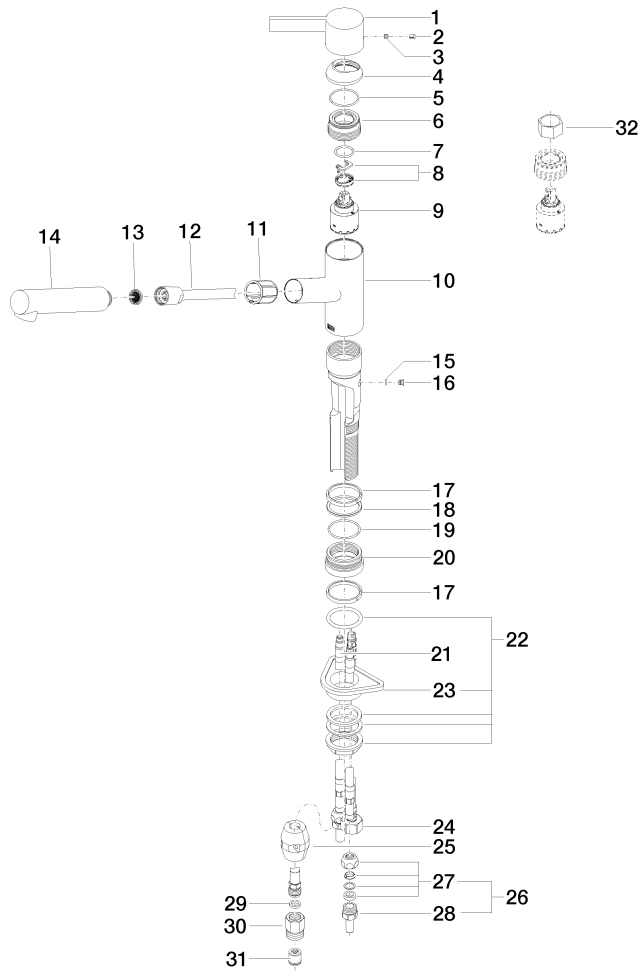
33 840 760

### Certificates

---

IAPMO\_6397 (1).

33 840 760





## ENO Single-lever mixer Pull-out - Chrome

ENO

33 840 760

### Spare parts list

No.	Item Number	Name	Quantity used	Delivery time
1	09 20 76 001-00	handle	1	10
2	09 31 20 017 90	plug	1	2
3	90 31 11 030 00 90	pin	1	2
4	09 28 30 012-00	cover	1	10
5	09 14 10 102 90	seal	1	2
6	09 24 04 270 90	nut	1	2
7	09 14 10 031 90	seal	1	2
8	90 28 10 148 00 90	accessories	1	2
9	90 15 05 064 00 90	cartridge	1	2
10	09 19 76 001-00	sleeve	1	10
11	09 18 40 099 90	sleeve	1	2
12	90 30 02 062 00-00	hose	1	2
13	09 23 01 039 90	sieve	1	2
14	04 12 11 106 00-00	shower	1	10
15	09 14 10 001 90	seal	1	2
16	09 30 30 113 20 90	screw	1	2
17	09 14 15 029 90	ring	2	2
18	09 28 10 144 90	ring	1	2
19	09 14 10 034 90	seal	1	2
20	09 27 76 001-00	rosette	1	10
21	04 30 04 018 00 90	hose	2	60
22	04 23 10 044 02 90	fixing set	1	2
23	09 18 40 090 90	sleeve	1	2
24	04 30 04 019 00 90	hose	1	2
25	04 21 50 005 00 90	accessories	1	2
26	04 24 04 222 00-00	adaptor	2	10
27	04 23 30 031 01-07	threaded connector	2	60
28	09 24 04 222 10-00	adaptor	2	10
29	90 14 20 019 00 90	seal	1	2
30	09 24 03 132 10 90	nipple	1	2
31	90 23 01 080 00 90	back-flow preventer	1	2
32	90 30 09 031 00 90	key	1	2